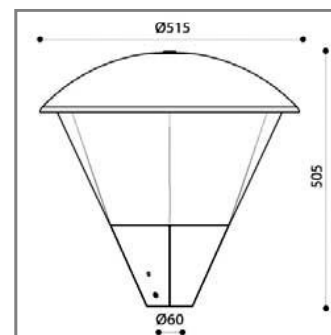
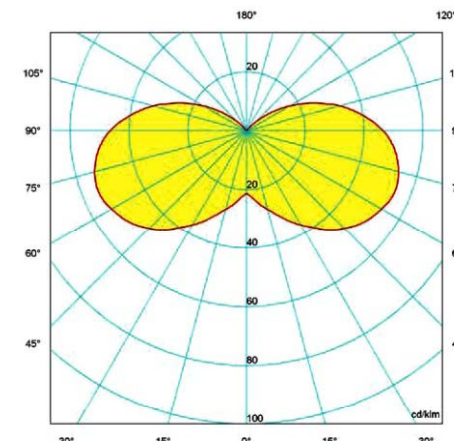


Dimensions



Luminescent Intensity Distribution



Ø60mm pole top mounted park lighting luminaire for the operating of E27 cap max.30W retrofit LED lamps, CFLs or 70W HPS lamps.

Hexagonally shaped base: die-cast aluminium with black polyester powder coating

Diffuser: 3.5mm thick white PMMA

Circular shaped cone covering gear tray: vandal and corrosion resistant black nylon-fibreglass

Silicone gaskets, stainless steel screws



Type	Light Source	Energy Efficiency Class, EEC*	Cap	Dimensions (mm)	Mass (kg)	Product Code
BARCELONA 515/B	1 x max. 30W CFL or LED	A	E27	Ø515 x 505	-	1-28-10-1290
BARCELONA 515/B-70	1 x 70W HPS Lamp	A	E27	Ø515 x 505	-	1-28-16-0056

* This luminaire is compatible with bulbs of the following energy efficiency classes

Don't hesitate to contact our experts: Mónika Hosó (T: (06 1) 450 2701); István Hajdrik (T: (06 1) 450 2712); Balázs Lévai (T: (06 1) 450 2711); Katalin Svintek (T: (06 1) 450 2714)