



Exceptional functionality, diversity and a wide range of optics characterize the ITALO 1, ITALO 2 and ITALO 3 luminaires: the same shape design and the three different sizes make them suitable for lighting of high traffic city and suburban roads. Its wide optical range is suitable for a variety of mounting needs. The AEC High Performance Optic™ optical system made of high purity aluminum is specifically designed for the new Multichip LED technology. Thanks to its replaceable optical modules, the ITALO family is a "future-proof" solution.

#### Technical Data

Power consumption: 102W (Italo 1), 148W (Italo 2), 303W (Italo 3)

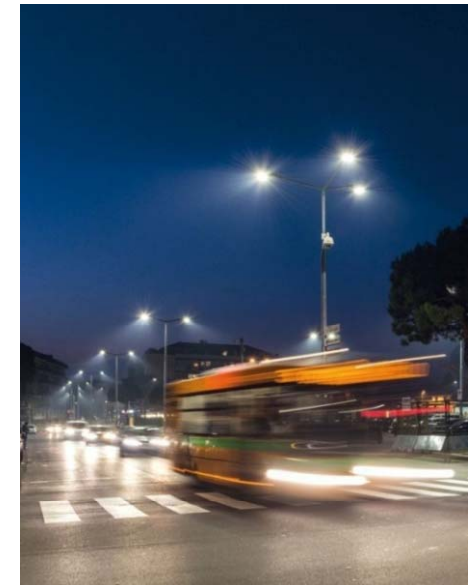
Power Supply: 220-240V, 50/60Hz; Insulation class: I - II.

LED modules: 525/700 mA, 4000K (optional: 3000K). CRI ≥70; power factor (in full load): > 0.9

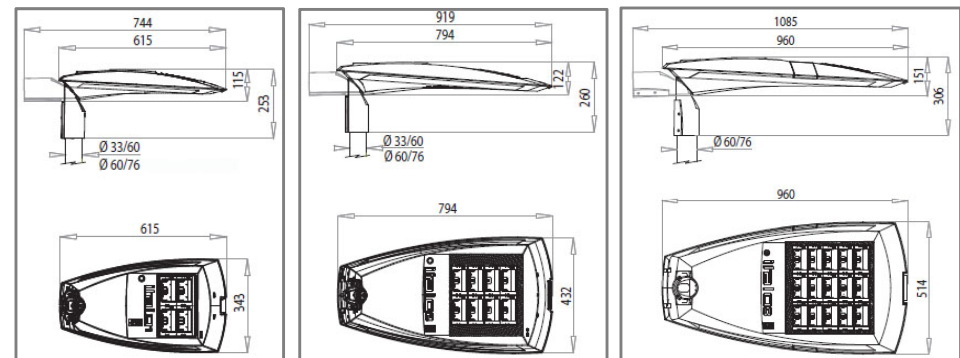
Protection degree: IP66, Mechanical resistance: IK09

Dimming options:

F: Fixed power not dimmable (base version); DA: Automatic dimming (virtual midnight) with default profile; DAC: Custom DA profile; FLC: Constant light flux; PLM: Power line single point communication system; WL: Wireless single point communication system; DB: Bi-power light flux adjustment with pilot cable; DR: Light flux adjustment with flux controllers; DALI: Digital dimming interface; D10: Flux adjustment via 1-10V analogue control; NEMA: Integrated IP66 NEMA socket for control devices (up to 7-pin)



#### Dimensions



Don't hesitate to contact our experts: Mónika Hosó (T: (06 1) 450 2701); István Hajdrik (T: (06 1) 450 2712); Balázs Lévai (T: (06 1) 450 2711); Miklós Bükkös (T: (06 1) 450 2714)