



Parabolic mirror louvre, wide and narrow beam, made of high-reflectance specular super-purity aluminium.

Design / installation: Surface-mounted industrial luminaire with IP66 protection rating for ceiling (1), pendant (2) or trunking (LINIA) (3) mounting by using of RIDI appropriate mounting accessories.

Stable luminaire housing in die cast aluminium, grey, powder coated, colour similar to RAL7040. LED modules formed as linear circuit boards.

Panel made of toughened safety glass, structured, fixed to the housing using stainless steel clips (safety screws for complying of the ball-resistant safety requirements according to DIN 18032, part 3).

Power supply: 220-240V, 50Hz; **Power consumption:** 192W

Luminous flux / luminous efficiency:

– wide beam versions: 22,510lm / 117lm/W

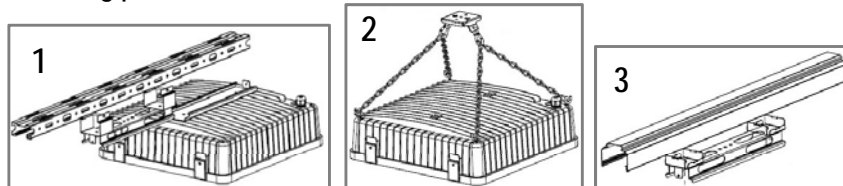
– narrow beam versions: 23,600lm / 123lm/W

Colour rendering index: Ra > 80; **CCT:** 4000 K

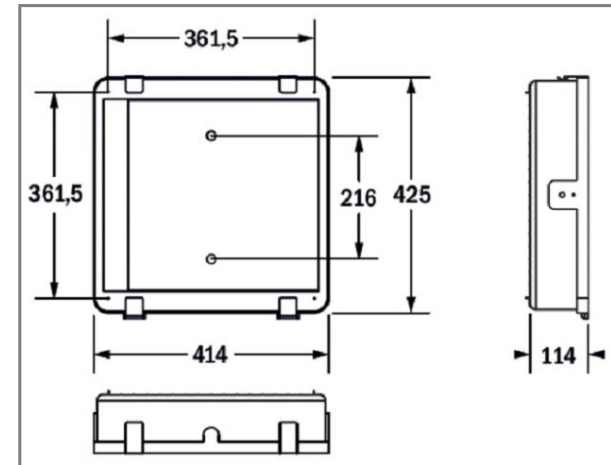
Safety class: I; **Impact resistance:** IK09

Ambient temperature: max. 40 °C (measured in 300mm distance)

Mounting possibilities

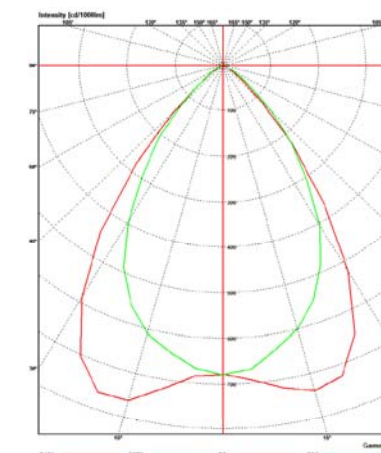


Dimensions

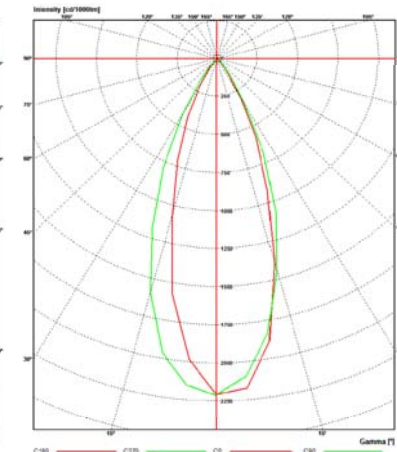


Luminous Intensity Distribution

Wide beam types



Narrow beam types



Don't hesitate to contact our experts: Mónika Hosó (T: (06 1) 450 2701); István Hajdrik (T: (06 1) 450 2712); Balázs Lévai (T: (06 1) 450 2711); Miklós Bükkös (T: (06 1) 450 2714)