

Application

- Factory & Storage lighting
- Showroom & Convention center lighting
- Gym & Parking lot lighting



Standard Colors



Black + Silver

Features

- Customized chips from world-leading supplier with super high lighting efficiency;
- Free modular serialization and full power range solution;
- Traditional high bay light modeling, fit customers' habit;
- Professional industrial & optical design, offering elegant lighting environment.
- Green pro-environment design, no mercury, no UV radiation; Instant start, downy lighting to protect eyes;



Distributor in Hungary:

HOLUX
VILÁGÍTÁS ÉS VILLAMOSSÁG

HOLUX Kft. H-1135 Budapest, Béke u. 51-55.
Tel: (06 1) 450 2700 Fax: (06 1) 450 2710
www.holux.hu www.fenyaruhaz.hu e-mail: hoso@holux.hu

Electrical & Photometric

Model	Input Voltage (V) Frequency Range (Hz)	LED Qty (pcs)	Power (w)	Luminous Efficacy (lm/w)	Lumens (lm)	Power Factor	Power Efficiency	LED Brand	CCT (k)	CRI
TF8B	AC100~240 50/60	18	80	130±8	10400±640	0.95	91%	Customized Chips from World-leading Supplier	3000 4000 5000 5700	≥70
TF8C	AC100~240 50/60	36	80	155±8	12400±640	0.95	91%			
		24	100	132±8	13200±800	0.95	91%			
		44	100	155±8	15500±800	0.95	91%			
		28	120	132±8	15840±960	0.95	92%			
		50	120	152±8	18240±960	0.95	92%			
		36	150	132±8	19800±1200	0.95	92%			
TF8D	AC100~240 50/60	66	150	155±8	23250±1200	0.95	92%			
		44	180	135±8	24300±1440	0.95	92%			
		48	200	132±8	26400±1600	0.95	92%			
		72	200	148±8	29000±1600	0.95	92%			

Working environment & Whole fixture Packing

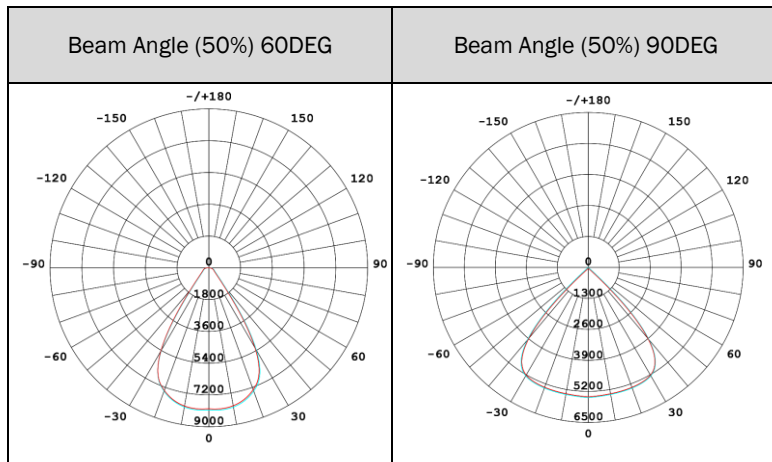
Model	Beam Angle (°)	Product Dimensions (mm)	Outer Carton Size (mm)	N.W (kg)	G.W (kg)	Working Environment	Storage Temperature	IP Rating	LED Life Span (h)	Housing Material	Surge Protection (kv)
TF8B	60	Φ335x335	425x425x415	2.2	3.7	-40℃~+50℃, 10%~60%RH	-40℃~+50℃	IP65	>50,000	Metal	≥6
	90	Φ395x305	485x485x380	2.3	4.5						
TF8C	60	Φ490x405	580x580x485	3.7	6.5	-40℃~+50℃, 10%~60%RH	-40℃~+50℃	IP65	>50,000	Metal	≥6
	90	Φ560x350	650x650x425	3.9	7.0						
TF8D	60	Φ590x465	680x680x535	5.7	9.5	-40℃~+50℃, 10%~60%RH	-40℃~+50℃	IP65	>50,000	Metal	≥6
	90	Φ710x415	795x795x485	6.3	10.5						

Semi-knocked Down Packing

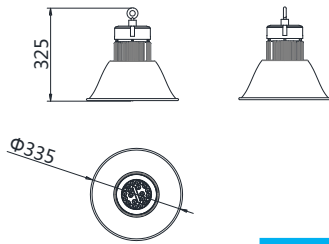
Model	Beam Angle (°)	Product Dimensions (mm)	Lamp body ^①			Reflector			
			Outer Carton Size (mm)	N.W (kg)	G.W (kg)	PCS/CTN	Outer Carton Size (mm)	N.W (kg)/PCS	G.W (kg)/CTN
TF8B	60	Φ335x335	325x230x215	1.8	2.4	20	360x360x450	0.4	9.0
	90	Φ395x305	325x230x215	1.8	2.4	20	420x420x400	0.48	11.5
TF8C	60	Φ490x405	300x300x275	2.9	3.8	10	520x520x450	0.9	11.5
	90	Φ560x350	300x300x275	2.9	3.8	10	590x590x400	1.1	13.0
TF8D	60	Φ590x465	365x365x275	4.8	6.0	10	640x640x550	1.0	12.0
	90	Φ710x415	365x365x275	4.8	6.0	10	750x750x500	1.6	19.0

① Lamp body : 1PCS/CTN

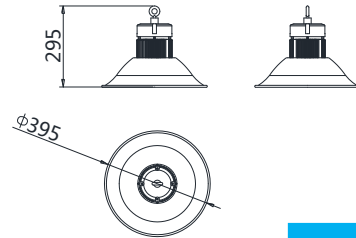
Light Distributions



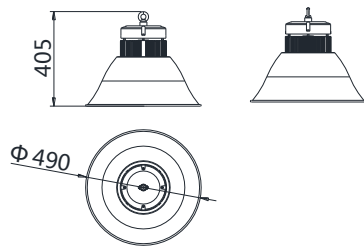
Dimensional Drawing



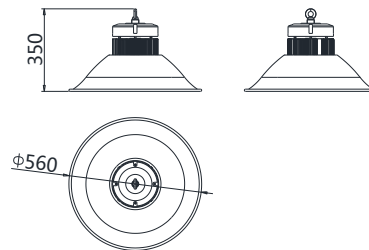
TF8B(60DEG)



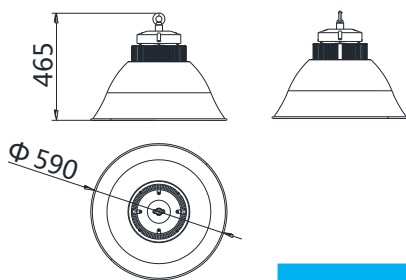
TF8B(90DEG)



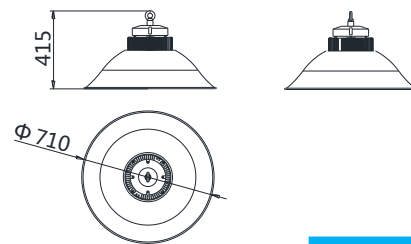
TF8C(60DEG)



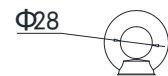
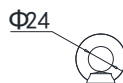
TF8C(90DEG)



TF8D(60DEG)



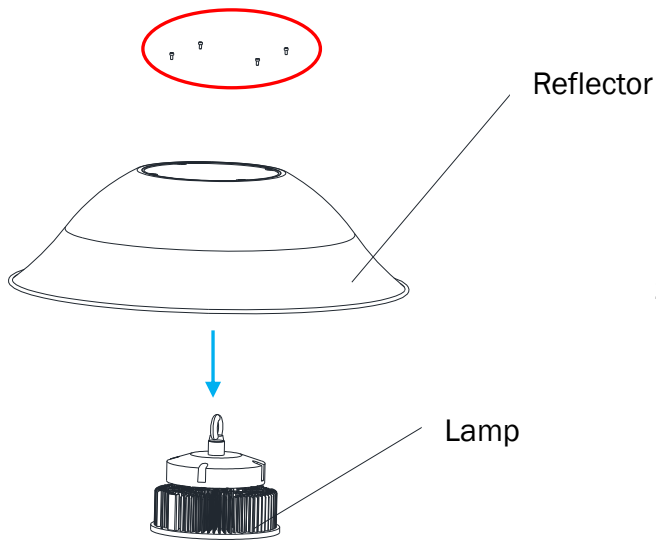
TF8D(90DEG)



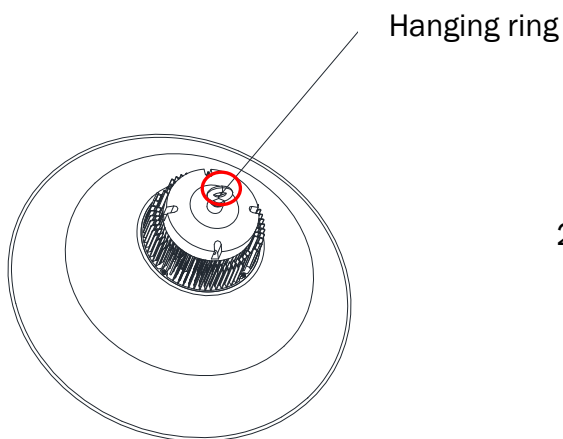
Note : TF8B ring Φ 20mm , TF8C ring Φ 24mm , TF8D ring Φ 28mm

Above data are all typical values; Actual installation to be matched on the received product without notice.

Installation



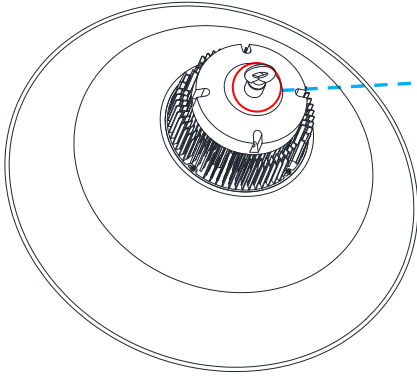
1. Fix the reflector to the lamp body with four screws.



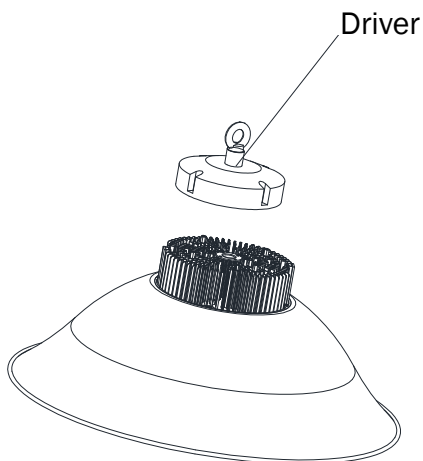
2. Connect the hanging ring with the mounting hook. Connect wires, make sure not connect wrong or oppositely.

Maintenance

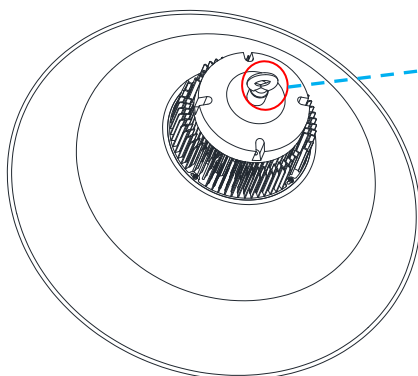
Driver & Electrical Parts



1. Disconnect the power supply; Take the lamp from the hook.



2. Undo the screws on the driver, cut off the power wire from the lamp body and make the strip length between 13~15mm. Replace the failed driver and waterproof connector with new one.



3. Connect the hanging ring with the mounting hook. Connect wires. Maintenance finished.

Ordering Information

Example:TF8B-80BS-X2960-740-MO

Ordering Information	TF 8B - 80 BS - X 2960 - 7 40 - MO
	1 2 3 4 5 6 7 8 9 10 11
1. Luminary Type	T: Street light TS: Tunnel light TF: High bay light FL: Flood light GL: Garden light
2. Luminary Series	1A 1B 1D 1F 2A 2C 3A 3B
3. Module Qty	N: Non-modular luminary 1: 1 module 2: 2 modules 3: 3 modules 4: 4 modules
4. System Power	10: 10W 20: 20W 30: 30W 40: 40W 50: 50W
5. Housing Color	BS: Black top & Silver base BK: Black WH: White GY: Grey SR: Silver BU: Blue BUWH: Blue top & White base BUGY: Blue top & Grey base OTH: Other
6. Module Series	Blank: Non-modular luminary M1: M1 module M2: M2 module M5: M5 module
7. LED Brand	X: Customized LEDs L: LUMILEDS C: CREE O: OSRAM N: NICHIA S: SAMSUNG
8. Lens Code	3501 3100 3702 3910 2701 5703 3040 1812 1412
9. CRI	6: ≥60 7: ≥70 8: ≥80 9: ≥90 OTH: Other
10. CCT	30: 3000K 40: 4000K 50: 5000K 57: 5700K
11. Driver Brand	MO: MOSO MW: MEAN WELL PH: PHILIPS IN: INVENTRONICS AD: ADAYO OTH: Other

*Ordering information is for reference only. Some product configurations are not available. Please consult Specifications for specific product availability and for further details.

Revision History

Change Date	Rev.	Description of Change		
		Item	From	To
2016/09/13	Rev1.0	Datasheets Release		